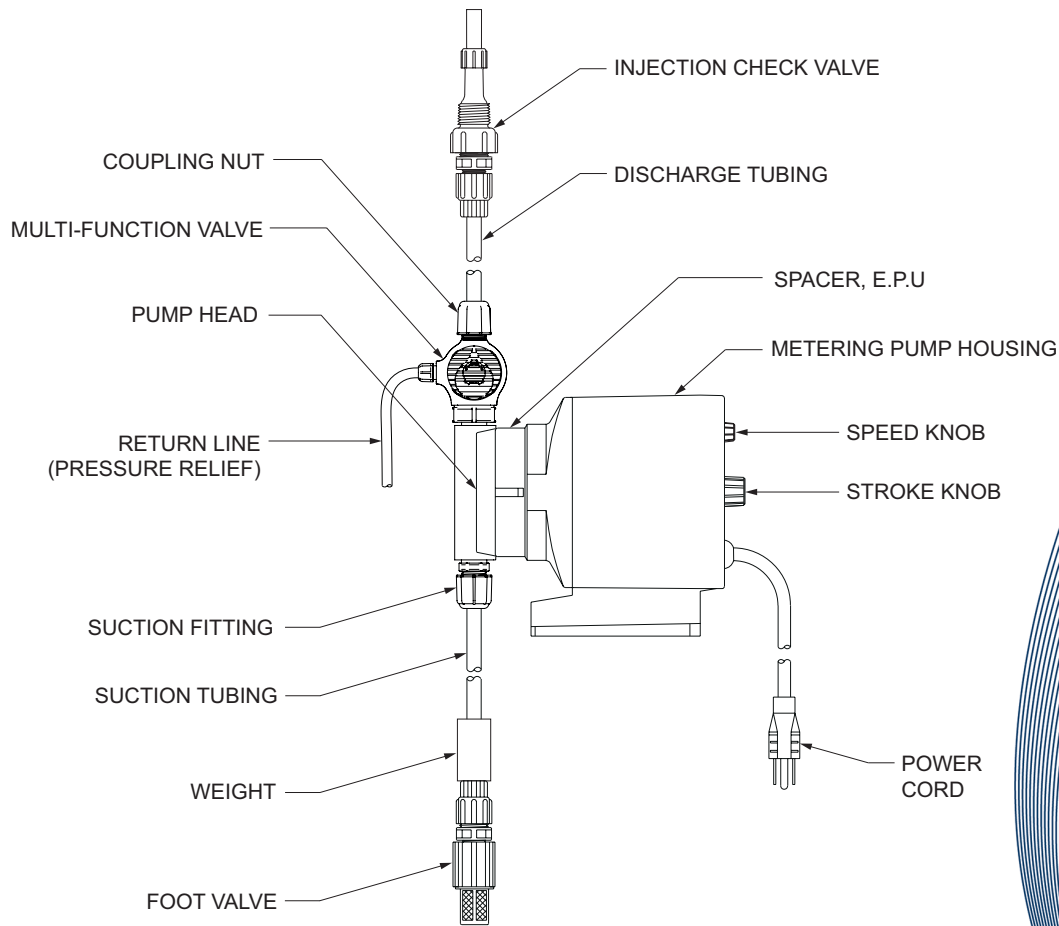




**LMI**<sup>®</sup>

*an Accudyne Industries brand*



**Metering Pump Component Diagram**

# Series P1 Electronic Metering Pump Instruction Supplement

Manual No : 1842

Rev. : E

Rev. Date : 10/2015

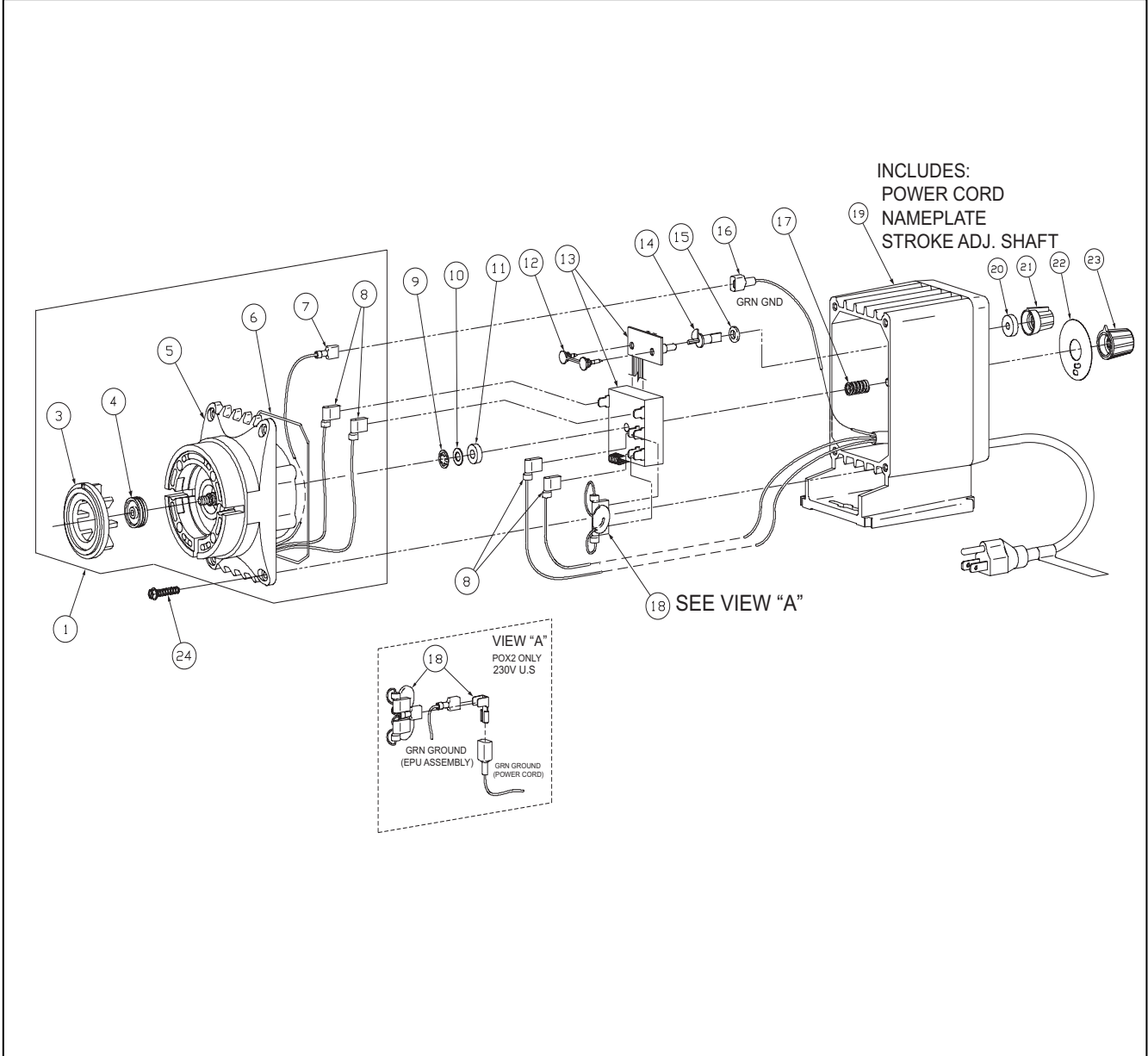


**LMI**<sup>®</sup>

*an Accudyne Industries brand*



# SERIES P1 DRIVE ASSEMBLY EXPLODED VIEW DIAGRAM



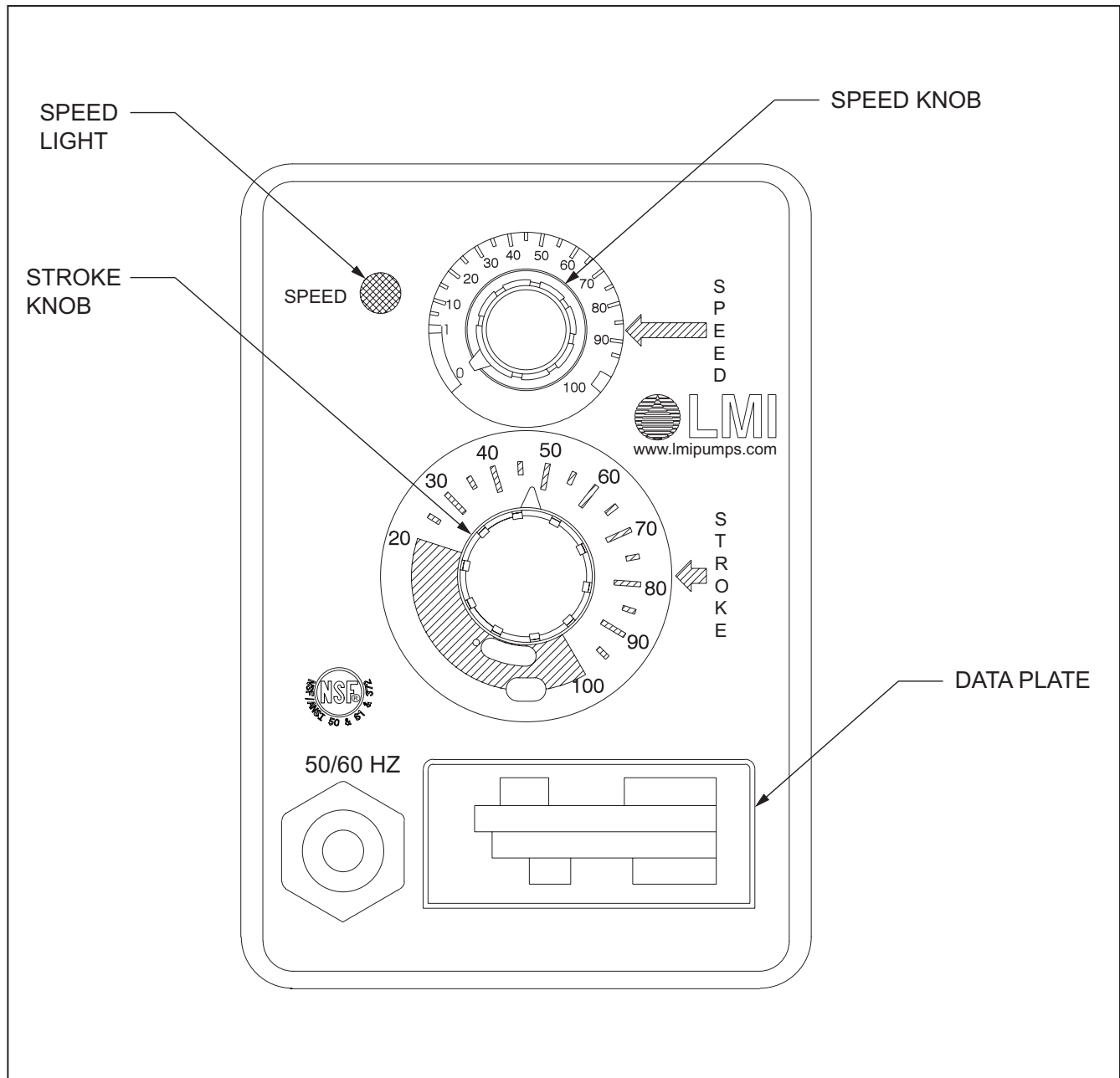
# SERIES P1 DRIVE ASSEMBLY PARTS LIST

Key Number	Model Series	Part Number	Description	Qty
1	P121	30107	EPU WITH DISK 0.5	1
	P122, P123, P125, P126, P127	30108	EPU WITH DISK 0.5	
	P131	30109	EPU WITH DISK 0.9	
	P132, P133, P135, P136, P137	30110	EPU WITH DISK 0.9	
	P141	30240	EPU WITH DISK 0.5	
	P142, P143, P145, P046, P147	30241	EPU WITH DISK 0.5	
	P151	30242	EPU WITH DISK 0.9	
	P152, P153, P155, P156, P157	30243	EPU WITH DISK 0.9	
	P161	33338	EPU WITH DISK 1.8	
	P162, P163, P165, P166, P167	31781	EPU WITH DISK 1.8	
3	P12, P14	29445	DISK 0.5	1
	P13, P15	29437	DISK 0.9	
	P16	29442	DISK 1.8	
4	P1	10973	SEAL	1
5	P121, P131	30530	EPU	1
	P122, P123, P125, P126, P127, P132, P133, P135, P136, P137	30531		
	P141, P151	30154		
	P142, P143, P145, P146, P147, P152, P153, P155, P156, P157	30155		
	P161	31862		
	P162, P163, P165, P166, P167	31131		
6	P1	10166	O-RING	1
7	P1	10182-1	WIRE TERMINAL (FEMALE)	1
8	P1	25070-1	WIRE TERMINAL (FLAG)	4
9	P1	10422	RETAINING RING	1
10	P1	25963	WASHER, NYLON	1

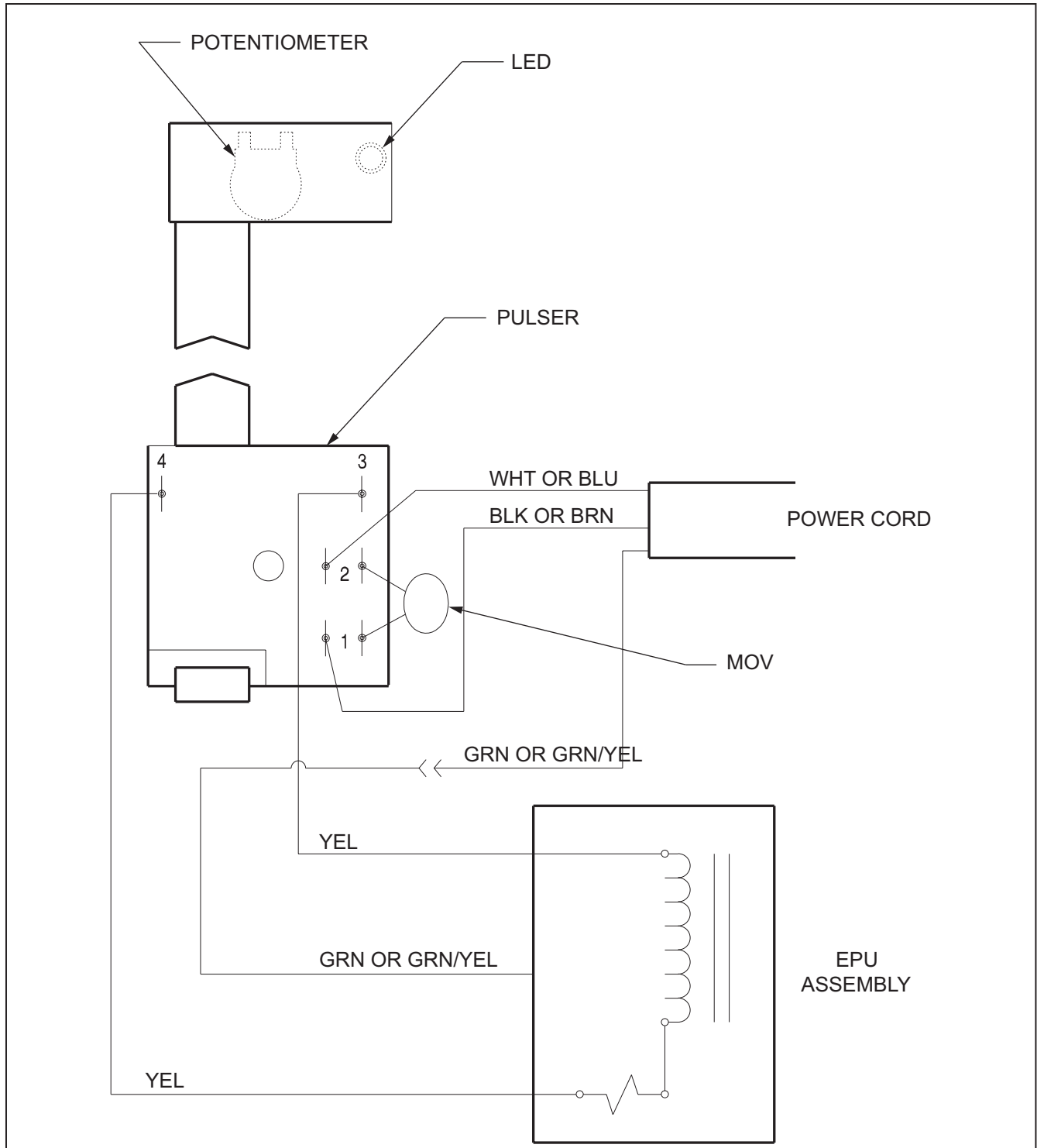
## SERIES P1 DRIVE ASSEMBLY PARTS LIST

Key Number	Model Series	Part Number	Description	Qty
11	P1	30391	WASHER, RUBBER	1
12	P1	35744	DUAL PIN	1
13	P1	36255	PULSER	1
14	P1	35743	SPEED SHAFT	1
15	P1	34497	O-RING	
16	P1	10368-1	WIRE TERMINAL (MALE)	1
17	P1	25414	SPRING	1
18	P121, P131, P141, P151, P161	10626	VARISTOR ASSEMBLY, 115V	1
	P122, P132, P142, P152, P162	31255	VARISTOR ASSEMBLY, 230V US	1
	P123, P133, P143, P153, P163, P125, P135, P145, P155, P165, P126, P136, P146, P156, P166, P127, P137, P147, P157, P167	10627	VARISTOR ASSEMBLY, 230-250V	1
19	P121, P131, P141, P151, P161	38411	HOUSING ASSEMBLY, 115V	1
	P122, P132, P142, P152, P162	38412	HOUSING ASSEMBLY, 230V US	
	P123, P133, P143, P153, P163	38413	HOUSING ASSEMBLY, 230V DIN	
	P125, P135, P145, P155, P165	38414	HOUSING ASSEMBLY, 240V UK	
	P126, P136, P146, P156, P166	38415	HOUSING ASSEMBLY, 250V AUST	
	P127, P137, P147, P157, P167	38416	HOUSING ASSEMBLY, 230V SWISS	
20	P1	30803	GASKET	1
21	P1	30709	SPEED KNOB	1
18	P12	30418	STROKE DIAL	1
	P13	31545		
	P16	31127		
19	P1	31891	STROKE KNOB	1
20	P1	30306	SCREW	4

# SERIES P1 CONTROL PANEL DETAIL



# SERIES P1 WIRING DIAGRAM



*We are a proud member of Accudyne Industries, a leading global provider of precision-engineered, process-critical, and technologically advanced flow control systems and industrial compressors. Delivering consistently high levels of performance, we enable customers in the most important industries and harshest environments around the world to accomplish their missions.*



LMI® is a registered trademark of Milton Roy, LLC.  
© 2000, 2015 Milton Roy, LLC.  
Specification to change without notice.

[info@lmipumps.com](mailto:info@lmipumps.com)  
[www.lmipumps.com](http://www.lmipumps.com)

